

Roofing Material: \_\_\_\_\_

Roof Vents: \_\_\_\_\_

Roofing Underlayment: \_\_\_\_\_

Sheathing: \_\_\_\_\_

Truss Type: \_\_\_\_\_

Spacing: \_\_\_\_\_

Air Chute: \_\_\_\_\_

Roof Pitch: \_\_\_\_\_

Windwash Material: \_\_\_\_\_

Attic Insulation Type: \_\_\_\_\_ R-Value: \_\_\_\_\_

Fascia: \_\_\_\_\_

Ceiling Finish: \_\_\_\_\_

Soffit Type: \_\_\_\_\_

Vapor Barrier: \_\_\_\_\_

Header Size: \_\_\_\_\_

Interior Wall Finish: \_\_\_\_\_

Material: \_\_\_\_\_

Stud Size: \_\_\_\_\_ Spacing: \_\_\_\_\_

Air Barrier/House Wrap: \_\_\_\_\_

Insulation Type: \_\_\_\_\_ R-Value: \_\_\_\_\_

**WALL SECTION WITH BASEMENT**

Exterior Finish: \_\_\_\_\_

Floor Joist Type: \_\_\_\_\_ Size: \_\_\_\_\_ Spacing: \_\_\_\_\_

Ceiling Finish: \_\_\_\_\_

Finish Grade Height on Wall: \_\_\_\_\_

Rim Joist Insulation Type: \_\_\_\_\_ R-value or Thickness: \_\_\_\_\_

Anchor Bolt Size: \_\_\_\_\_  
Spacing: \_\_\_\_\_

Foundation Type: \_\_\_\_\_ Thickness: \_\_\_\_\_ Height: \_\_\_\_\_

Waterproofing: \_\_\_\_\_

Reinforcement Size: \_\_\_\_\_ Spacing: \_\_\_\_\_

Insulation Type: \_\_\_\_\_  
R-Value: \_\_\_\_\_

Interior Insulation Type: \_\_\_\_\_ R-Value: \_\_\_\_\_

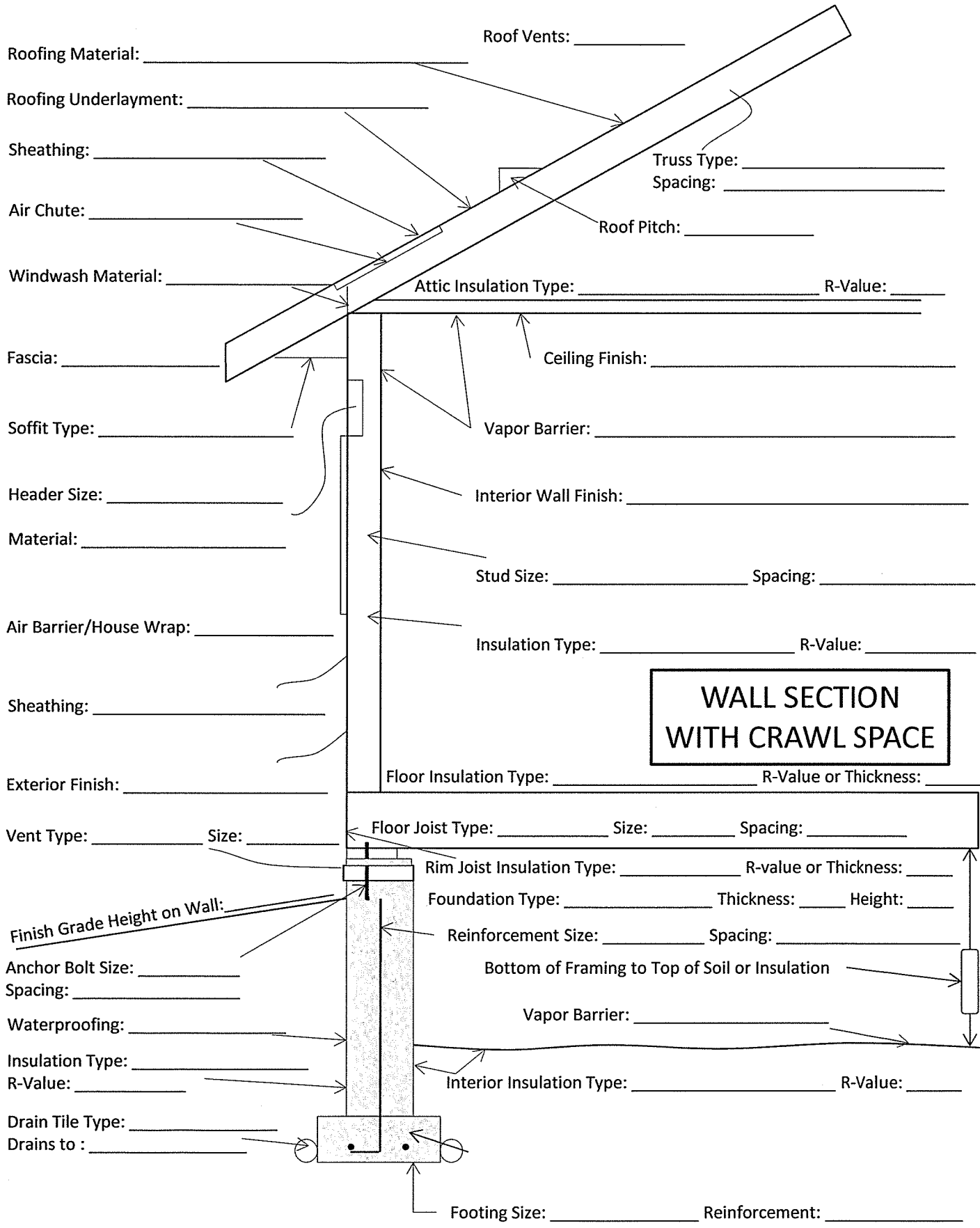
Interior Finish: \_\_\_\_\_

Insulation Type: \_\_\_\_\_ R-Value: \_\_\_\_\_

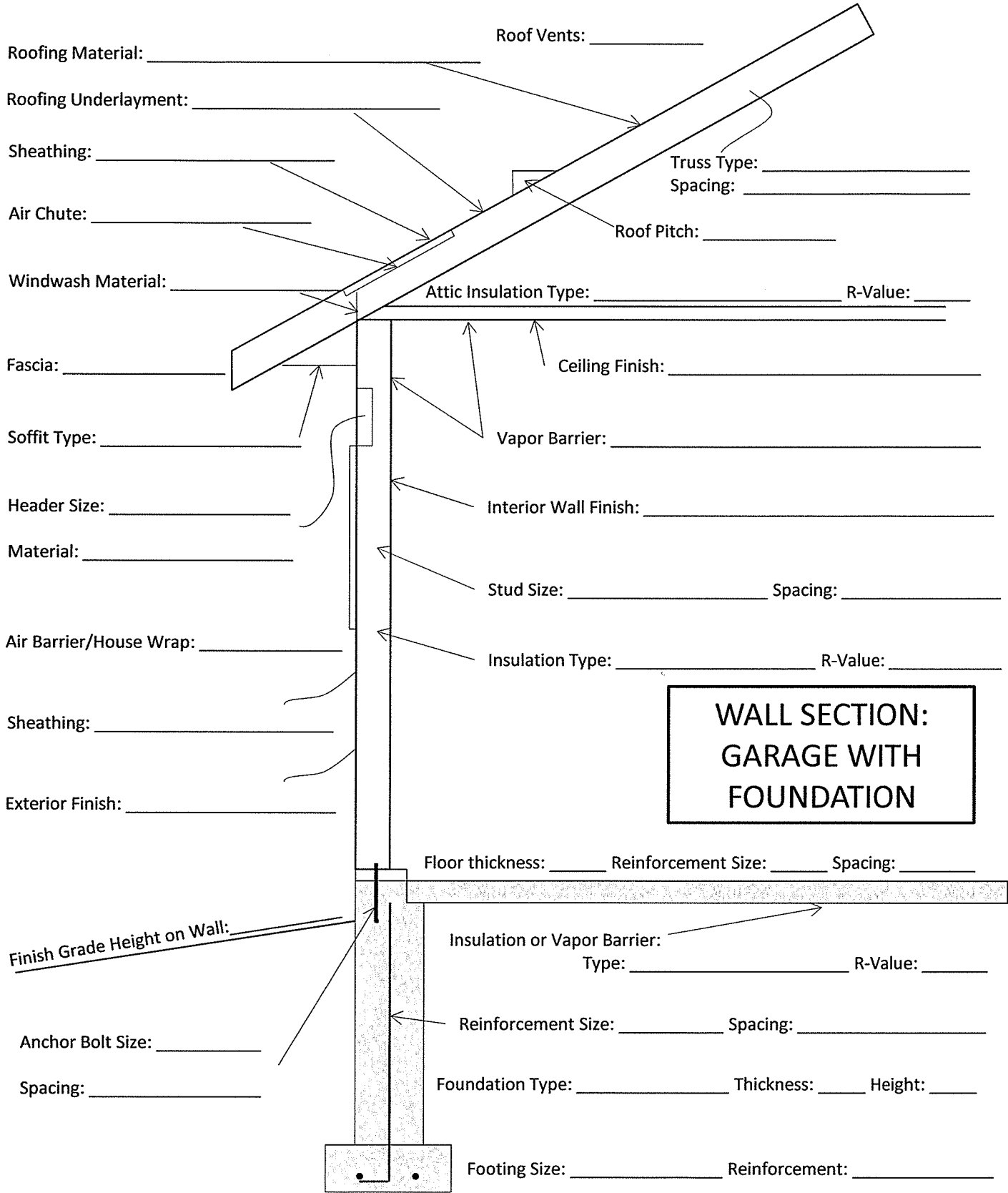
Floor Thickness: \_\_\_\_\_ Vapor Barrier: \_\_\_\_\_

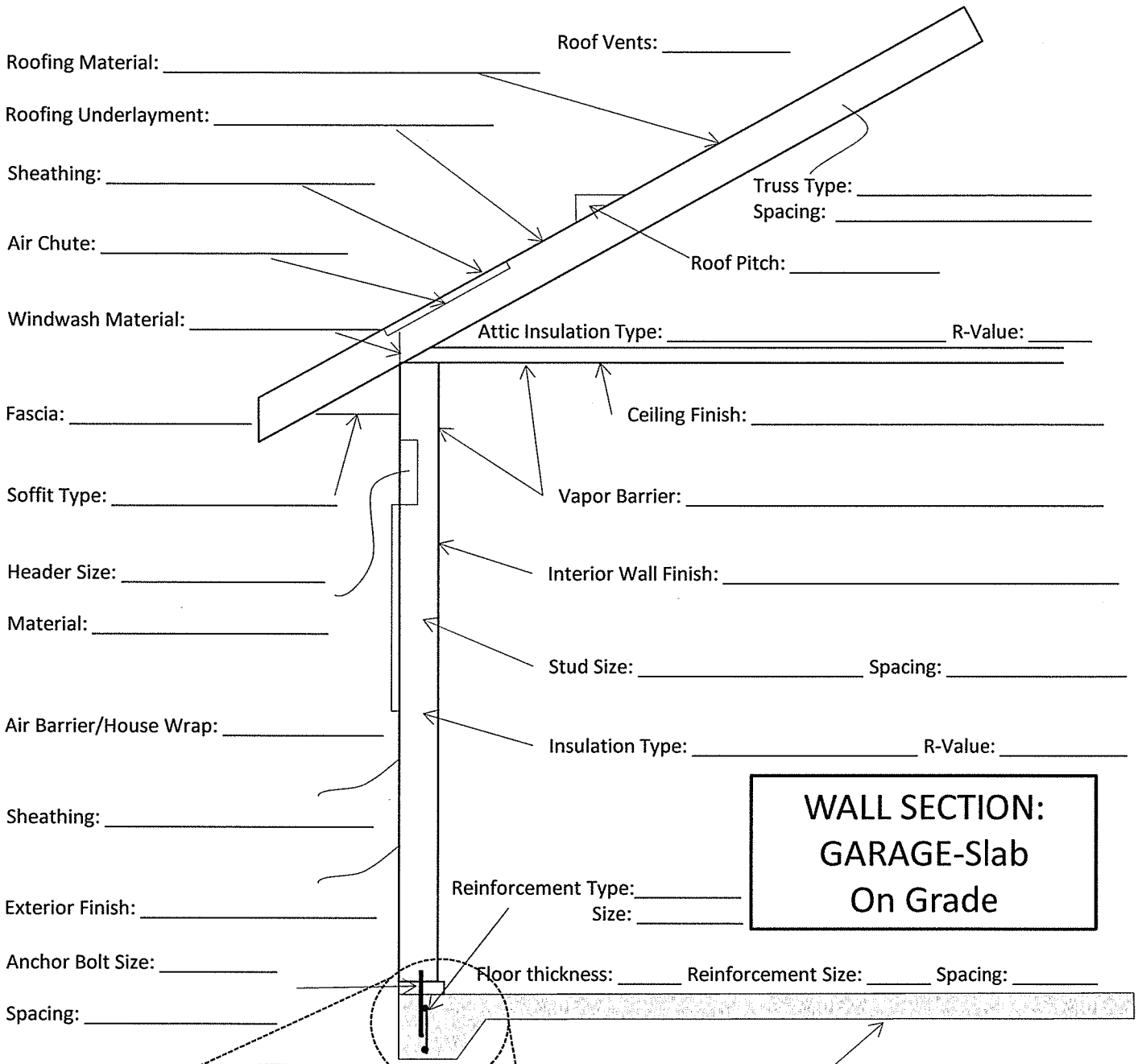
Drain Tile Type: \_\_\_\_\_  
Drains to: \_\_\_\_\_

Footing Size: \_\_\_\_\_ Reinforcement: \_\_\_\_\_

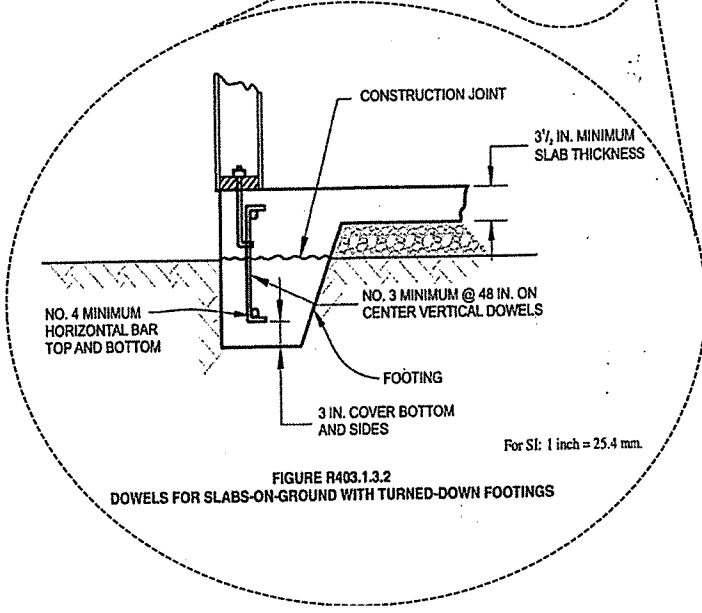


**WALL SECTION  
WITH CRAWL SPACE**





**WALL SECTION:  
GARAGE-Slab  
On Grade**



**FIGURE R403.1.3.2  
DOWELS FOR SLABS-ON-GROUND WITH TURNED-DOWN FOOTINGS**

Insulation or Vapor Barrier:  
Type: \_\_\_\_\_ R-Value: \_\_\_\_\_